

Facility information

Clinician name: _____
 Company name: _____
 Purchase order #: _____
 Contact number: _____

Patient information

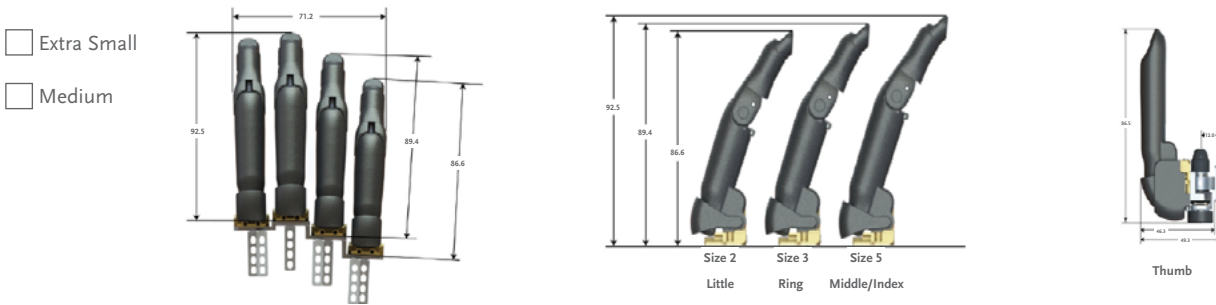
Patient name: _____

i-Digits kit size and Digit options

Please select your i-Digits kit size. Extra small kit will be supplied with extra small mounting plate as shown in diagram. Medium kit will be supplied with medium mounting plate as shown in diagram. If you require a different configuration please indicate desired mounting plate below.

Standard Digit configurations are: **Extra Small:** 2, 3, 5, 5 **Medium:** 3, 5, 6, 6

If an alternative configuration is required, there may be compromises in the function or performance of the i-Digits prosthesis.



Little		Ring		Middle		Index*		Rotating Thumb	
<input type="checkbox"/> Digit Size	<input type="checkbox"/> No Digit	<input type="checkbox"/> Digit Size	<input type="checkbox"/> No Digit	<input type="checkbox"/> Digit Size	<input type="checkbox"/> No Digit	<input type="checkbox"/> Digit Size	<input type="checkbox"/> No Digit	<input type="checkbox"/> Digit Size	<input type="checkbox"/> No Digit

*Touch Screen (TS) compatible index digit supplied (size 5/6 only)v

Electrode options

- Remote electrode
- Compact electrode
- FSRs - Small
- FSRs - Large

Choose hand size

- Left Right

Choose control strategy

- Single site Dual site

Choose knuckle mounting plate size (if different from kit size above)

- Extra small Medium

Ratchet strap required? (optional)

- Yes No

Choose knuckle mounting plate type

- Stepped knuckle
- Single knuckle
- Flat multiple knuckle



Touch care coverage extension (sold separately)

- Year 3
- Year 4
- Year 5

iPod required? (optional)

- Yes (included with i-Digits Quantum, sold separately for i-Digits Access)
- No

Torque Screwdriver required? (sold separately - required for assembly)

- Yes No

Comments