

# i-Limb Order Form

Email: anzprosthetics@ossur.com | Contact AU: 1300 123 268 | NZ: 0800 369 524

## Facility Information

Clinician Name:  
Company Name:  
Purchase Order#  
Contact Number:  
Contact Email:

## Patient Information

Patient Name:

## Hand Type

i-Limb Quantum  
(includes Titanium digits in S/M/L sizes)

i-Limb Ultra  
(includes Titanium digits in S/M/L sizes)

i-Limb Access

## Hand Connection Type

Quick Wrist  
Disconnect (QWD)

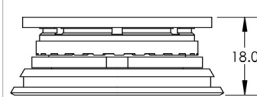
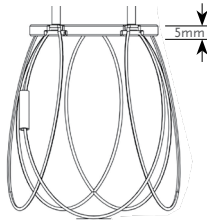
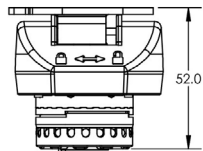
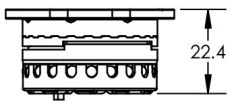
Flexion Wrist  
with QWD

Wrist Disarticulation

Friction

Extra Options

Upgrade to Titanium  
strengthened fingers  
on i-Limb Access  
S/M/L sizes



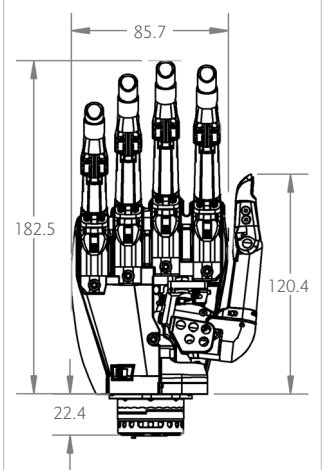
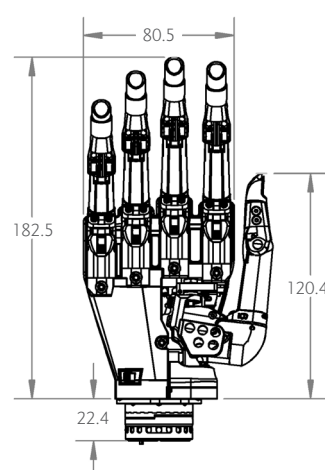
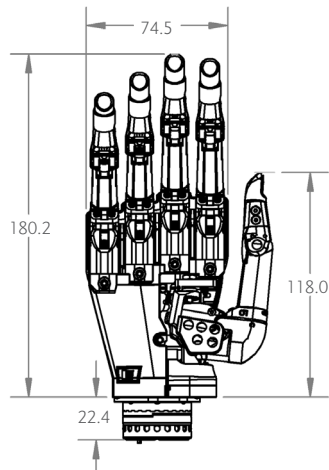
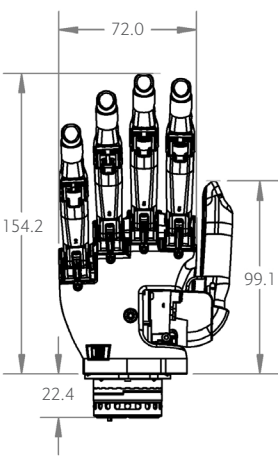
## Hand Size

Extra Small





Small

Medium

Large





Note: all measurements in mm

Dorsal Fairing Colour Options			
Standard Black (Default) 	White 	Titanium 	Black Carbon 

i-Limb Skin Active and Contour Covering Options (includes 6 coverings total)			
Active colour	Active TS colour	Contour colour	Contour TS colour
Black Qty.	Black Qty.	Black Qty.	Black Qty.
Clear Qty.	Clear Qty.	Clear Qty.	Clear Qty.
Transparent* Qty.		White Qty.	
*Transparent covers recommended when selecting coloured dorsal fairing. Clear is an opaque covering while transparent allows visualisation of hand through covering.			

i-Limb Skin Natural Covering Options (sold separately depending on package)	Custom Livingskin Option (sold separately depending on package)
i-Limb Skin Natural covers: Qty. Using colour swatches, select a number (1-18) for your i-Limb skin natural cover(s): Set of colour swatches    Include matching forearm cover	i-Limb Skin Match hand cover i-Limb Skin Match forearm cover Livingskin passive functional device Remote Colour Service

Battery Assembly (select one)		Included Socket Components
1300 mAh split cell magnetic charge port (70 x 35 x 6 mm)	2000 mAh split cell with magnetic charge port (80 x 44 x 7.5 mm)	QWD wrist package includes wrist, 4-way coaxial plug, coupling piece and lamination collar.

Electrodes	
Remote (Qty. 2): Length    300mm    600mm Hertz      50Hz 	Remote (Qty. 2): Length    300mm    600mm Hertz      50Hz 

Additional Accessories (sold separately)	
i-Limb tool kit (T10 screwdriver, spare screws)	X Small i-Limb tool kit (T8 screwdriver, spare screws)

Touch Care Warranty Coverage
First two years included.

Touch Care Warranty Extension (sold separately)*			
3rd Year	4th Year	5th Year	Check all that apply

\* Warranty extension possible within 24 months after purchase (until second annual service).