

# POWER KNEE™

UNITY  
COMPATIBLE

## INTRODUCTION

The Power Knee is the world's first motor-powered microprocessor knee. Active assistance powers flexion and extension to mimic concentric and eccentric muscle activity. Advanced sensors accurately detect the user's movements and inform the microprocessor where state-of-the-art artificial intelligence enables the knee to respond to the user's needs.

A powerful motor provides consistent stance phase but also free swing phase. Delivering active extension when standing up, controlled resistance when descending, active flexion and extension during walking and energy returning stance flexion, Power Knee facilitates symmetrical weight distribution and natural gait.

## KEY FEATURES

- Auto-adaptive real-time stance and swing control
- Energy returning stance flexion
- Active assistance in level-ground walking, step-over-step stair ascent and when standing up
- Intuitive knee lock when standing, facilitating equal weight distribution
- 25 hour typical usage on a single battery
- Replaceable battery, can be charged in knee or separately
- Accompanying Össur Logic app for iOS devices provides simple practitioner setup and adjustment



## RECOMMENDED WITH



Seal-In® X TF liner



Pro-Flex® Pivot



Proprio Foot®



Pro-Flex® XC  
Torsion



Pro-Flex® LP  
Torsion

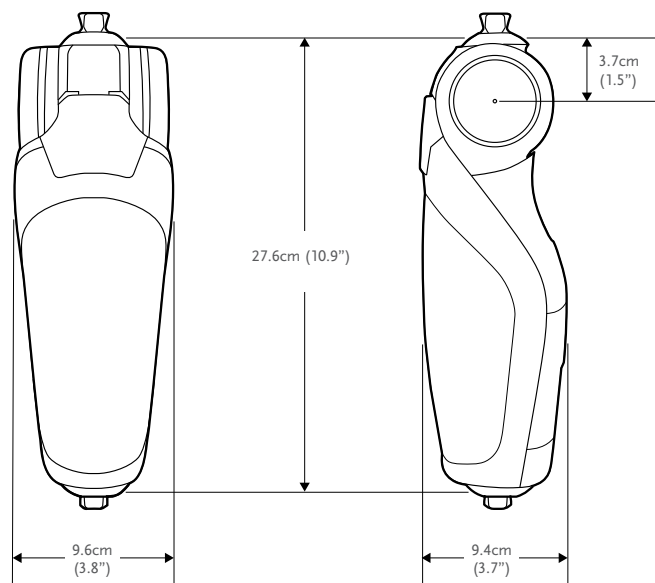
## POWER KNEE™



User Information	
Amputation Level:	Transfemoral and Knee Disarticulation
Impact Level:	Low to Moderate
Maximum Patient Weight:	116kg

Knee Information	
Weight (incl. Battery):	2.6kg (5.7lbs)
Build Height:	276mm (10 7/8")
Knee Flexion:	120°

## CLEARANCE



## KITS

### POWER KNEE KIT

Part#	Description
PKA10003	Power Knee incl. 3 Years Warranty

Includes:

- POWER KNEE
- Lithium Ion Battery Pack
- Power Supply
- Instruction for use

# POWER KNEE™

## COMPONENTS

### POWER KNEE BATTERY

Part#	Description
PKA10002	Power Knee Battery

### POWER SUPPLY

Part#	Description
CME50110	Power Supply w/Plug



## EXTENDED WARRANTY

### POWER KNEE ADDITIONAL WARRANTY\*

Part#	Description
PKA01GE3Y	3 Year Additional Warranty

## UNITY

### UNITY KITS

Part#	Description	Applicable Foot Kits
UTF0001	Unity TF Valve Kit	All

