

# i-Digits™ Order Form

Össur Custom Solutions Ohio 6640 Riverside Drive, Suite 360 Dublin, OH 43017 P: 1-800-233-6263 F: (949) 271-2390

## Facility Information

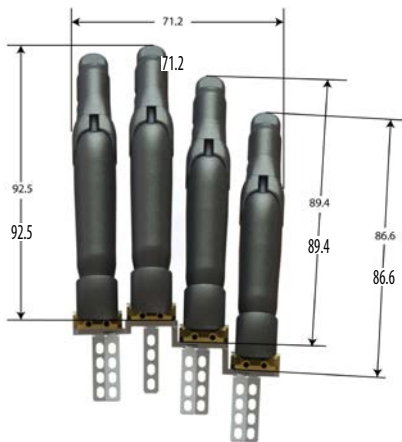
Össur Account #	Shipping same as established billing address		
PO #	Name		
Clinician Name	Street		
Telephone	City	State	Zip
Email	Need a phone call?	Prosthetist	Customer Support
Time zone			
Ship i-Digits Kit to:	Össur First	Customer first via two day	Customer first via NDA at customer expense
Return Shipping Label:	<b>Two-day</b>	Next Day Air (\$100)	

## Patient Information

Patient ID	Affected Side	LEFT	RIGHT
------------	---------------	------	-------

## Digits Model (please indicate type)

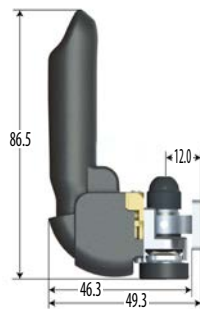
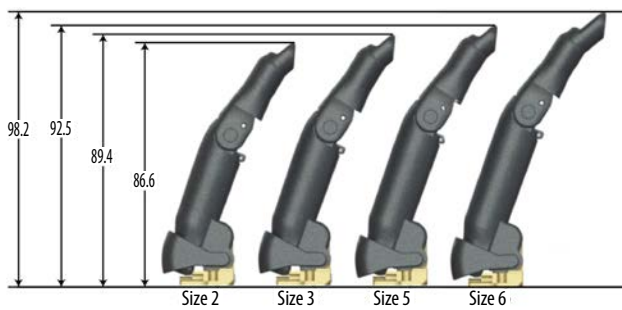
i-Digits Quantum	i-Digits Access
------------------	-----------------



**Extra Small**  
5 index, 5 middle, 3 ring, 2 pinky (A 5, 5, 3, 2 digit configuration, as pictured to the left, is the default).



**Medium**  
6 index, 6 middle, 5 ring, 3 pinky (A 6, 6, 5, 3 digit configuration, as pictured to the left, is the default).



Note: all measurements are in mm

Digit Size Customization				
Select the digit sizes that differ from the standard for your mounting plate size:				
Thumb size is always size 5				
Index size	6	5	3	2
Middle size	6	5	3	2
Ring size	6	5	3	2
Pinky size	6	5	3	2

Note: touch screen available on size 5 and 6 only


**Input Options**

**60Hz remote**

60Hz compact

Large FSR

Small FSR



**Accessories**

iPod: (included with i-Digits Quantum)	Yes	No
Covers:	Black	Clear
Add Ons:	Livingskin bundle (passive functional prosthesis)	

**Touch Care Warranty Coverage**

First two years included.

**Touch Care Warranty Extension**

3rd Year

4th Year

5th Year

Check all that apply

Notes:

\*Adds additional cost if not already included in quote

\*\*Items in **bold** are the default selections and will be provided in the absence of other instructions, including if no selection is made