

# Order Form

## i-Limb® Quantum | i-Limb® Access

### Company information (billing)

Clinician name: \_\_\_\_\_  
 Company name: \_\_\_\_\_  
 Company address: \_\_\_\_\_  
 \_\_\_\_\_  
 Country: \_\_\_\_\_  
 Telephone: \_\_\_\_\_  
 Purchase order #: \_\_\_\_\_  
 Sales quotation #: \_\_\_\_\_

Tick if shipping is the same as billing address

Ship to address: \_\_\_\_\_  
 \_\_\_\_\_  
 \_\_\_\_\_

Ship via:  Customer carrier  Össur carrier

Please provide email address for order confirmation:

\_\_\_\_\_

### Patient information

Patient identifier: \_\_\_\_\_

### Choose hand type

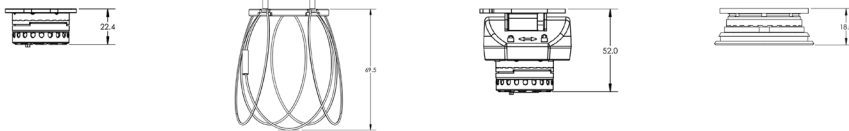
Quantum  Access

### Choose hand side

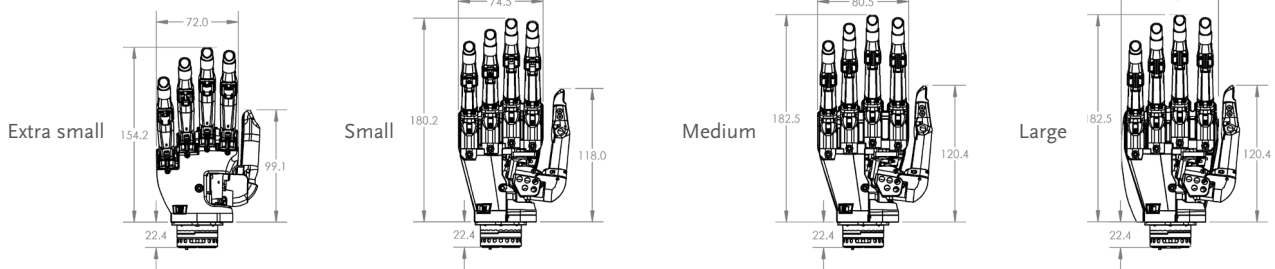
Left  Right

### Choose hand connection type

Quick Wrist Disconnect (QWD)  Wrist Disarticulation (WD)  Flexion  Friction



### Choose hand size



### Choose package

Tick the box of the pack chosen.

Note: for Access, only packs PK1 and PK2 available.

	PK1	PK2	PK3	PK4	PK5	PK6
i-Limb Quantum Titanium	N/A	N/A	TBX50142	TBX50143	TBX50144	TBX50145
i-Limb Access Titanium	TBX50484	TBX50485	N/A	N/A	N/A	N/A
Electrode kit	<input type="checkbox"/>	<input type="checkbox"/>	<input type="checkbox"/>	<input type="checkbox"/>	<input type="checkbox"/>	<input type="checkbox"/>
Socket component kit*	<input type="checkbox"/>	<input type="checkbox"/>	<input type="checkbox"/>	<input type="checkbox"/>	<input type="checkbox"/>	<input type="checkbox"/>
Battery and charger	<input type="checkbox"/>	<input type="checkbox"/>	<input type="checkbox"/>	<input type="checkbox"/>	<input type="checkbox"/>	<input type="checkbox"/>
Grip chips	<input type="checkbox"/>	<input type="checkbox"/>	<input type="checkbox"/>	<input type="checkbox"/>	<input type="checkbox"/>	<input type="checkbox"/>
Hand connection type	QWD or WD or Friction wrist	Flexion wrist	QWD or WD or Friction wrist	Flexion wrist	QWD or WD or Friction wrist	Flexion wrist
Compatible i-Limb Wrist (to be ordered separately w/ additional cost)	<input type="checkbox"/> (with QWD only)	<input type="checkbox"/>	<input type="checkbox"/> (with QWD only)	<input type="checkbox"/>	<input type="checkbox"/> (with QWD only)	<input type="checkbox"/>
i-Limb Skin Coverings	6 pcs**	6 pcs**	6 pcs**	6 pcs**	4 pcs**	4 pcs**
i-Limb Skin Match coverings					<input type="checkbox"/> (2 pcs)	<input type="checkbox"/> (2 pcs)

\*For Flexion Wrist and Quick Wrist Disconnect incl. coaxial connector, coupling insert and lamination ring ; for Friction Wrist and Wrist Disarticulation incl. switch block  
 \*\*Choose from i-Limb Skin Active/TS, i-Limb Skin Contour / TS or i-Limb Skin Natural (maximum of 4 covers of the same type)

# i-Limb® Quantum | i-Limb® Access

## Choose Covering Selection

Please enter the number of gloves desired, based on the i-Limb package selected:

### i-Limb Skin Active

\_\_\_ x Black \_\_\_ x Clear

### i-Limb Skin Active TS

\_\_\_ x Black \_\_\_ x Clear

### i-Limb Skin Contour

\_\_\_ x Black \_\_\_ x Clear

### i-Limb Skin Contour TS

\_\_\_ x Black \_\_\_ x Clear

### i-Limb Skin Natural glove (color tones from 1 to 18)\*

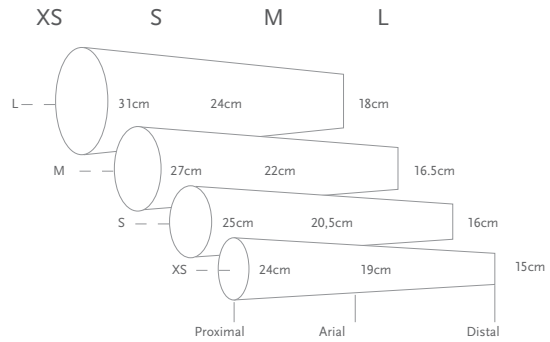
Please enter the number of gloves desired, based on the i-Limb package selected:

\_\_\_ x color 1 \_\_\_ x color 2 \_\_\_ x color 3 \_\_\_ x color 4  
 \_\_\_ x color 5 \_\_\_ x color 6 \_\_\_ x color 7 \_\_\_ x color 8  
 \_\_\_ x color 9 \_\_\_ x color 10 \_\_\_ x color 11 \_\_\_ x color 12  
 \_\_\_ x color 13 \_\_\_ x color 14 \_\_\_ x color 15 \_\_\_ x color 16  
 \_\_\_ x color 17 \_\_\_ x color 18

\* If required, a free color sample set can be sent.

## Forearm sleeve (sold separately)

Choose size (only one size selectable)



All covers have an average length of 35cm.

### i-Limb Skin Natural forearm sleeve (only one color selectable)\*

1	2	3	4	5	6
7	8	9	10	11	12
13	14	15	16	17	18

\* If required, a free color sample set can be sent.

### i-Limb Skin Match forearm sleeve\*

i-Limb Skin Match forearm sleeve (individually)

\* For this please send us a cast of the socket.

## Choose Electrodes

Electrodes

Remote (2 pcs)	Length (A)*: Hertz*:	300mm 50Hz (EU)	600mm
-------------------	-------------------------	--------------------	-------



Compact (2 pcs)	Length*: Hertz*:	300mm 50Hz (EU)	600mm
--------------------	---------------------	--------------------	-------



## Additional accessories (sold separately)

- Toolkit T6
- Toolkit T8
- Toolkit T10
- Quick Wrist Disconnect (QWD) Disengage Tool
- Grip Chip starter kit (1-10) (i-Limb Quantum only)

## Comments

Customer Signature

FOLLOW ÖSSUR ON



TEL + 46 18 18 22 00  
 info@ossur.com

WWW.OSSUR.SE

