



Navii®

Expand Your World

Navii is a durable, waterproof microprocessor-controlled knee (MPK) with unparalleled freedom of movement. Navii ensures confidence in every step, no matter the terrain. Available in five nature-inspired colours, Navii's protective covers can be effortlessly switched with a magnetic snap-on to suit any occasion.



Waterproof Design



Strong, Powerful Actuator



High Activity Features



Variable Position
Mechanical Lock



Removable Protective
Covers & Natural Sitting



Össur Logic Training Exercises
and Advanced Settings



Advanced Gait Reports



Improved User Interface



Navii®



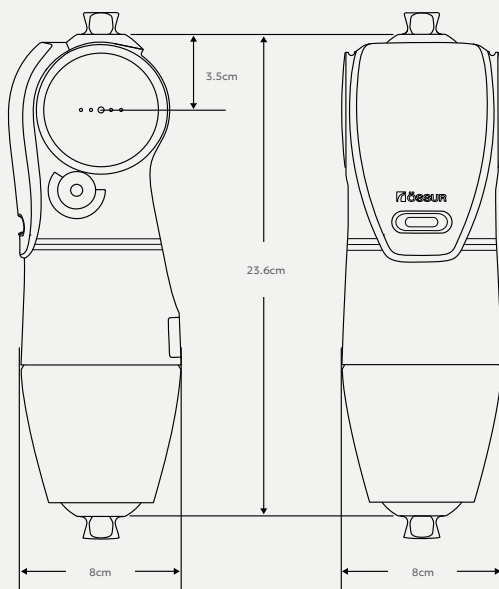
User Information		
Amputation Level:	Transfemoral, Knee disarticulation, Hip disarticulation	
Osseointegration:	Yes	
Bilateral:	Yes	
Impact Level:	Low to moderate	High
Maximum Patient Weight:	136 kg	110 kg

Knee Information	
Net weight:	1.8 kg without protective cover 2.0 kg with protective cover
Build Height:	236 mm
Knee Flexion:	120°
Waterproof:	IP68 and corrosion resistant (Salt, Chlorine, Sand, Soap, Bodily Fluids)



Clearance

Dimensions without protective cover



Dimensions with protective cover

