

## Introduction

Navii is a durable, waterproof microprocessor-controlled knee (MPK) with unparalleled freedom of movement. Navii ensures confidence in every step, no matter the terrain. Available in five nature-inspired colours, Navii's protective covers can be effortlessly switched with a magnetic snap-on to suit any occasion.

## Key Features

- Strong actuator with innovative control technology and smooth swing dynamics
- Waterproof Design (IP68, Pool, River, Ocean and Beach)
- User removable protective covers available in 3 different sizes. Medium and Long sizes easily customisable to various lengths. Standard size available in 5 different colours
- Variable position mechanical lock which can be locked at 0°, 10° and 20°
- Accompanying Össur Logic app control center for all Össur bionic devices
- Easy setup and fitting through auto-adjustment
- Step-by-step functional training exercises for both in-clinic and at-home training through Össur Logic app
- Progress tracking through printable activity reports
- High Activity Features (step-over-step stair ascent, automatic cycling recognition, seamless transition into running)



## RECOMMENDED WITH



Seal-In® X TF liner



Pro-Flex® Terra



Proprio Foot®



Pro-Flex® LP



Pro-Flex® XC

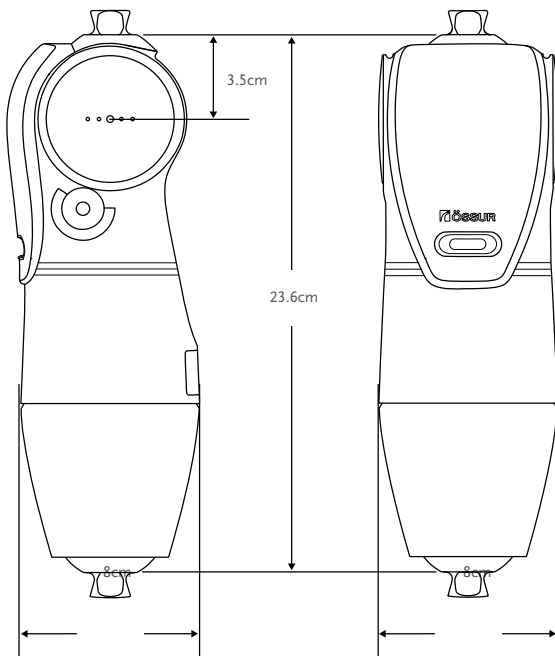


User Information		
Amputation Level:	Transfemoral, Knee disarticulation, Hip disarticulation	
Osseointegration:	Yes	
Bilateral:	Yes	
Impact Level:	Low to moderate	High
Maximum User Weight:	136 kg	110 kg

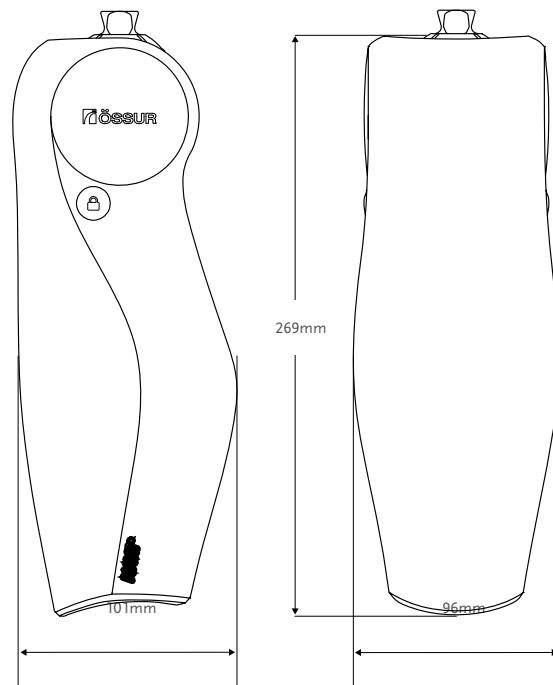
Knee Information	
Net weight:	1.8 kg without protective cover 2.0 kg with protective cover
Build Height:	236 mm
Knee Flexion:	-2 to 120°
Waterproof:	IP68, Salt, Chlorine, Sand, Soap, Bodily Fluids

## Clearance

### DIMENSIONS WITHOUT PROTECTIVE COVER



### DIMENSIONS WITH PROTECTIVE COVER



## Kits

### NAVII KIT

Part#	Description
NAV01003	Navii incl 3Yr Warranty

Includes:

- Navii (including standard black protective cover)
- Navii power supply w/plug
- Instructions for Use



### NAVII KIT WITH THREADED TOP ADAPTER:

Navii with threaded top adapter is the solution for knee disarticulation amputees and those with long residual limbs.

To order Navii with threaded top adapter, order the Navii Kit and add Össur's Female Pyramid Insert to the order.

Part#	Description	Height	Weight
A-145310	Female Pyramid Insert / Threaded Top Adapter	9mm	33g



### NAVII KIT WITH FLEXION TRANSLATION ADAPTER:

Navii with flexion translation adapter is the solution for socket flexion adjustments greater than what is allowable with the set screws.

To order Navii with flexion translation adapter, order the Navii Kit and add Össur's male/female double adapter with 8mm offset and 10° angle to the order.

Part#	Description	Material	Height	Build Height	Weight
A-554700	Male-Female double adapter	Stainless steel	40mm	24mm	153g



## Extended Warranty

Part#	Description
NAV01GE3Y	Navii Warranty Extension, 3Yr

Warranty extension includes scheduled service check at 40 months. Warranty extension can be added to Navii Kit NAV01003 and can be purchased anytime while the product is still under warranty. Maximum total warranty period is 6 years.

## Replacement Parts

### NAVII PROTECTIVE COVER

Part#	Description
NAV01PC01S-BLK	Navii Protective Cover, Standard, Black
NAV01PC01M-BLK	Navii Protective Cover, Medium, Black
NAV01PC01L-BLK	Navii Protective Cover, Long, Black
NAV01PC01S-GRY	Navii Protective Cover, Standard, Grey
NAV01PC01S-BLU	Navii Protective Cover, Standard, Blue
NAV01PC01S-GRN	Navii Protective Cover, Standard, Green
NAV01PC01S-RED	Navii Protective Cover, Standard, Red

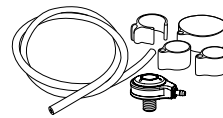


Protective Covers include warranty of 6 months.

## Unity

### UNITY KIT

Part#	Description	Applicable Foot Kit
UTF0001	Unity TF Valve Kit	All



## Components

### DUAL CHARGER KIT

The Dual Charger Kit is an optional kit that allows for simultaneous charging of Navii and Proprio Foot.

Part#	Description
CME10110	Power Supply and Cable Attachment



### POWER SUPPLY

Part#	Description
CME50110	Power Supply w/Plug

