

i-Limb Order Form

Customer

Customer:

Acc No:

Date:

Contact No:

E-mail Address:

Patient Information

Patient Identifier:

Affected Side Left Right

Hand Type

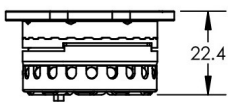
i-Limb Quantum
(includes Titanium digits in S/M/L sizes)

i-Limb Ultra
(includes Titanium digits in S/M/L sizes)

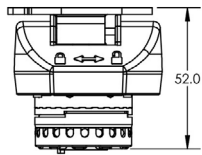
i-Limb Access

Hand Connection Type

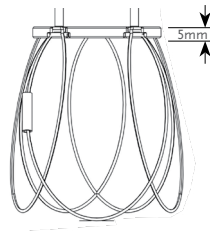
Quick Wrist
Disconnect (QWD)



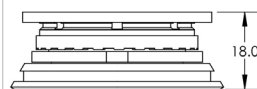
Flexion Wrist
with QWD



Wrist Disarticulation



Friction



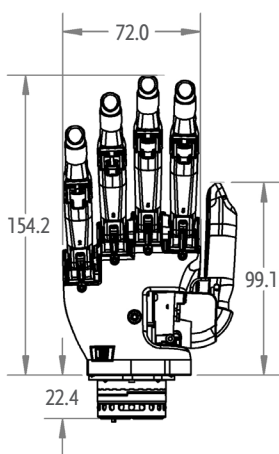
Extra Options

Upgrade to Titanium
strengthened fingers
on i-Limb Access
S/M/L sizes

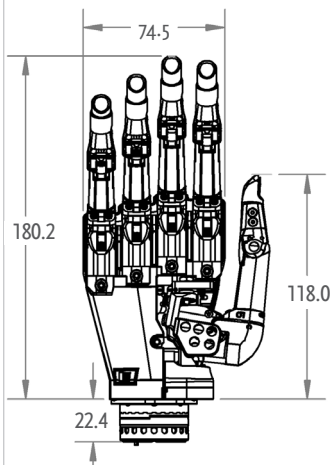


Hand Size

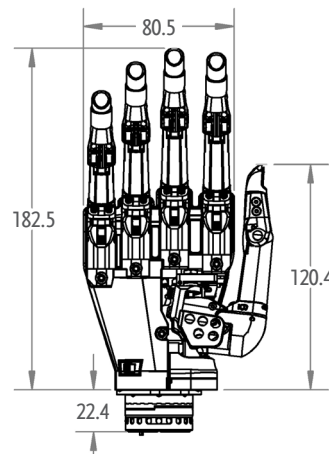
Extra Small



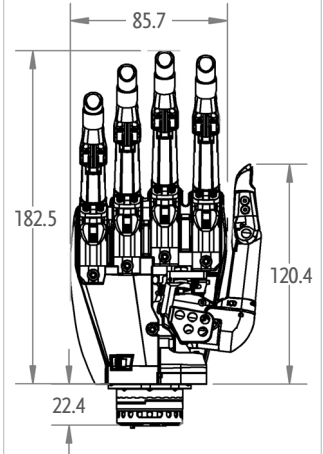
Small







Medium



Large





Note: all measurements in mm

Dorsal Fairing Color Options			
Standard Black (Default) 	White 	Titanium 	Black Carbon 

i-Limb Skin Active and Contour Covering Options (includes 6 coverings total)			
Active color	Active TS color	Contour color	Contour TS color
Black Qty.	Black Qty.	Black Qty.	Black Qty.
Clear Qty.	Clear Qty.	Clear Qty.	Clear Qty.
Transparent* Qty.		White Qty.	
*Transparent covers recommended when selecting colored dorsal fairing. Clear is an opaque covering while transparent allows visualization of hand through covering.			

i-Limb Skin Natural Covering Options (sold separately depending on package)	Custom Livingskin Option (sold separately depending on package)
i-Limb Skin Natural covers: Qty. Using color swatches, select a number (1-18) for your i-Limb skin natural cover(s): Set of color swatches Include matching forearm cover	i-Limb Skin Match hand cover i-Limb Skin Match forearm cover Livingskin passive functional device Remote Color Service

Battery Assembly (select one)		Included Socket Components
1300 mAh split cell magnetic charge port (70 x 35 x 6 mm)	2000 mAh split cell with magnetic charge port (80 x 44 x 7.5 mm)	QWD wrist package includes wrist, 4-way coaxial plug, coupling piece and lamination collar.

Electrodes		
Remote (Qty. 2):		Remote (Qty. 2):
Length 300mm 600mm		Length 300mm 600mm
Hertz 50Hz 60Hz		Hertz 50Hz 60Hz
		

Additional Accessories (sold separately)	
i-Limb tool kit (T10 screwdriver, spare screws)	X Small i-Limb tool kit (T8 screwdriver, spare screws)

Touch Care Warranty Coverage
First two years included.

Touch Care Warranty Extension (sold separately)*			
3rd Year	4th Year	5th Year	Check all that apply

* Warranty extension possible within 24 months after purchase (until second annual service).